



ORION[®]
INSTRUMENTS
A Magnetrol Company

Vector[™]
with Transmitters, Switches, Accessories
Level Application Questionnaire

DATE _____

RFQ# _____

Customer Information

Company/Contact/Title _____

E-mail _____ Phone _____ Fax _____

Design Conditions

Proposed Model Number(s) _____

Process Media _____ Steam Present Suspended Solids Percentage _____

Minimum S.G. _____ Constant Changing Range _____

Interface Service Upper/Lower Liquids and S.G.s _____

Temperature Operating _____ Design _____ Ambient _____

Pressure Operating _____ Design _____

Does liquid boil or flash? Yes No

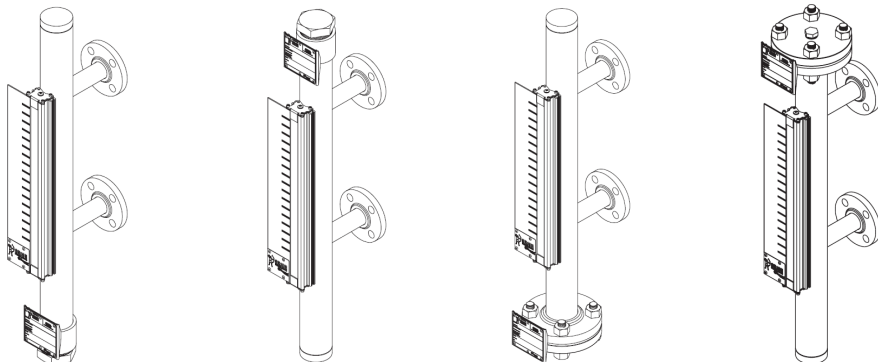
Area Classification GP Hazardous Cl ____ Div ____ Grp ____

Agency Approval Required None FM CSA CENELEC ATEX Other _____

- 1 Product Name _____
- 2 Unit of Measure for Center to Center _____
- 3 Mounting Configuration & Chamber Construction _____
- 4 Required Flange Rating _____
- 5 Material of Construction _____
- 6 Construction Grade _____
- 7 Chamber Flange Type _____
- 8 Process Connection Type _____
- 9 Process Connection Size _____
- 10 Gasket Type for Chamber Flange (if applicable) _____
- 11 Chamber Bolting Material _____
- 12/13 Vent Size & Type _____
- 14/15 Drain Size & Type _____
- 16 Other Considerations for Chamber Construction _____
- 17 Insulation Options _____
- 18 Measurement Type & Indication Style _____
- 19 Measuring Scale _____
- 20/21/22 Factory Assigned Codes _____
- 23/24/25 Center-to-Center & Visual Indication Length _____

Common Configurations

Application Sketch



2105 Oak Villa Boulevard Baton
Rouge, LA 70815 225.906.2343
Fax: 225.906.2344
www.orioninstruments.com

Bulletin: ORI- 342
Effective: January 2013
Supersedes: