



# Flow Application Questionnaire

Thermatec Model TA2

(Please fill out in detail.)

BULLETIN: 54-350.7

## REFERENCE INFORMATION

Customer/Company: \_\_\_\_\_ Date: \_\_\_\_\_

Contact/Title: \_\_\_\_\_ Phone: \_\_\_\_\_ Fax: \_\_\_\_\_

Submitted by: \_\_\_\_\_

FOR OFFICE USE:

## INSTRUMENT

Model Number: Electronics \_\_\_\_\_ Probe/Flow Body: \_\_\_\_\_

Remote Cable: \_\_\_\_\_ Compression Fitting/RPA: \_\_\_\_\_ Quantity: \_\_\_\_\_

## PROCESS DATA

Application: \_\_\_\_\_

Gas composition (vol%): \_\_\_\_\_

Condensed Moisture in Gas?  No  Yes Dust Buildup?  None  Light  Heavy Type of Dust: \_\_\_\_\_

	Maximum	Normal	Minimum	Units
Flow Rate				
Temperature				
Pressure				

## STP CONDITIONS

Specify Standard Temperature and Pressure conditions (If not specified Magnetrol uses 70° F and 1 Atmosphere)

Temperature: \_\_\_\_\_ Pressure:  1 Atmosphere  1 Bar

## PIPE DIMENSIONS

Pipe Diameter: \_\_\_\_\_ inch Schedule \_\_\_\_\_

or Pipe ID: \_\_\_\_\_ units \_\_\_\_\_

or Metric Pipe: \_\_\_\_\_ mm OD \_\_\_\_\_ mm wall thickness

## DUCT INTERNAL DIMENSIONS

Diameter \_\_\_\_\_ units \_\_\_\_\_

Rectangular dimensions \_\_\_\_\_ units \_\_\_\_\_

## FACTORY CONFIGURATION (Check one)

SCFM\*  Nm<sup>3</sup>/min  lbs/min\*

SCFH\*  Nm<sup>3</sup>/h\*  lbs/h\*

SCFD  Nm<sup>3</sup>/d  lbs/d

MSCFD  NI/min  kg/min\*

MMSCFD\*  NI/h\*  kg/h\*

NI/d  kg/d

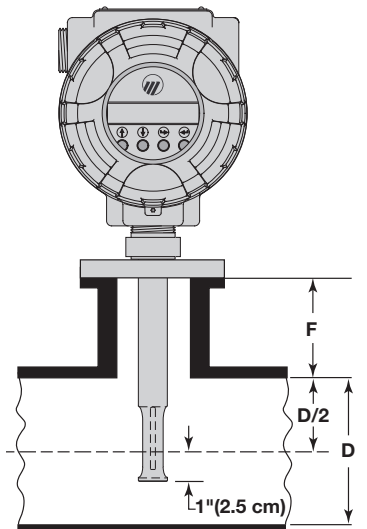
	4 mA value (0%)	20 mA value (100%)
Flow		
Temperature (TA2-A4)		

\* Indicates which units are available for FOUNDATION™ fieldbus option

## PROBE LENGTH CALCULATIONS

The probe can be ordered in 0.1 inch or 1 cm increments. This is most important when used with a flange or threaded connection to ensure that the sensor is located on the centerline of the pipe. The active portion of the sensor is located 1" (2.5 cm) from the end of the probe. Refer to illustration at right.

## REMARKS



$$\text{Probe length} = F + \frac{D}{2} + 1" (2.5 \text{ cm})$$



705 Enterprise Street • Aurora, Illinois 60504-8149 • 630-969-4000 • Fax 630-969-9489  
info@magnetrol.com • www.magnetrol.com

Copyright © 2015 Magnetrol International, Incorporated. All rights reserved. Printed in the USA.

**BULLETIN: 54-350.7**  
**EFFECTIVE: January 2015**  
**SUPERSEDES: December 2010**